

## VERSION

v.20210225

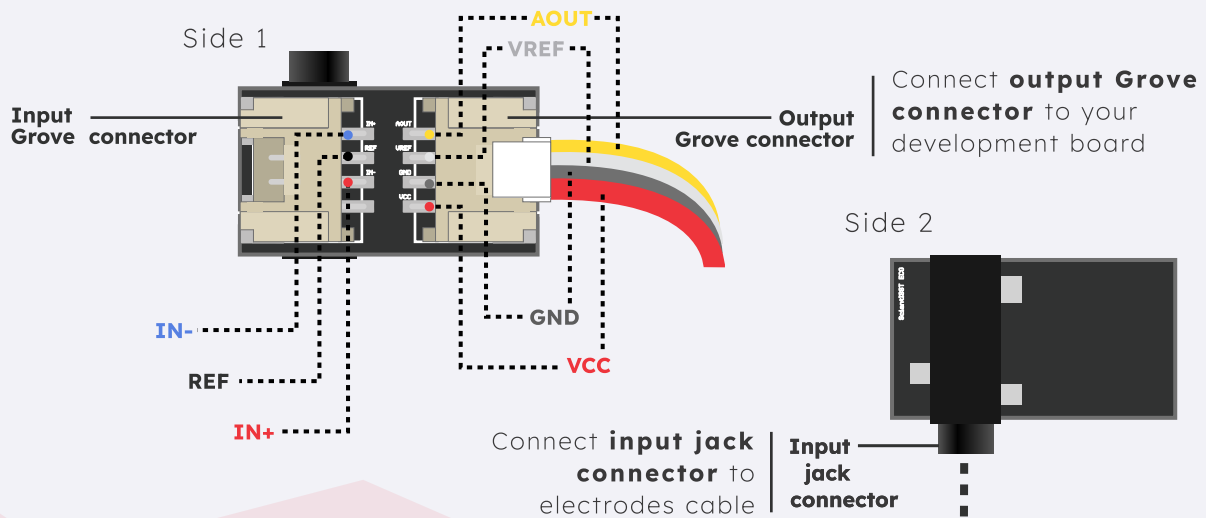
## SPECIFICATIONS

## FEATURES

- > ECG raw data output
- > Arduino-compatible
- > Grove and jack connectors to plug electrodes

- > Gain: 1100
- > Range:  $\pm 1.5\text{mV}$  (with  $VCC = 3.3\text{V}$ )
- > Bandwidth: 0.5-40Hz
- > Current consumption:  $\sim 4\text{mA}$
- > Input Impedance: 100GOhm
- > CMRR: 110dB

## PINOUT AND SETUP



ELECTRODE CONNECTIONS

